

Art Deco



Art Deco Handleset with Knob

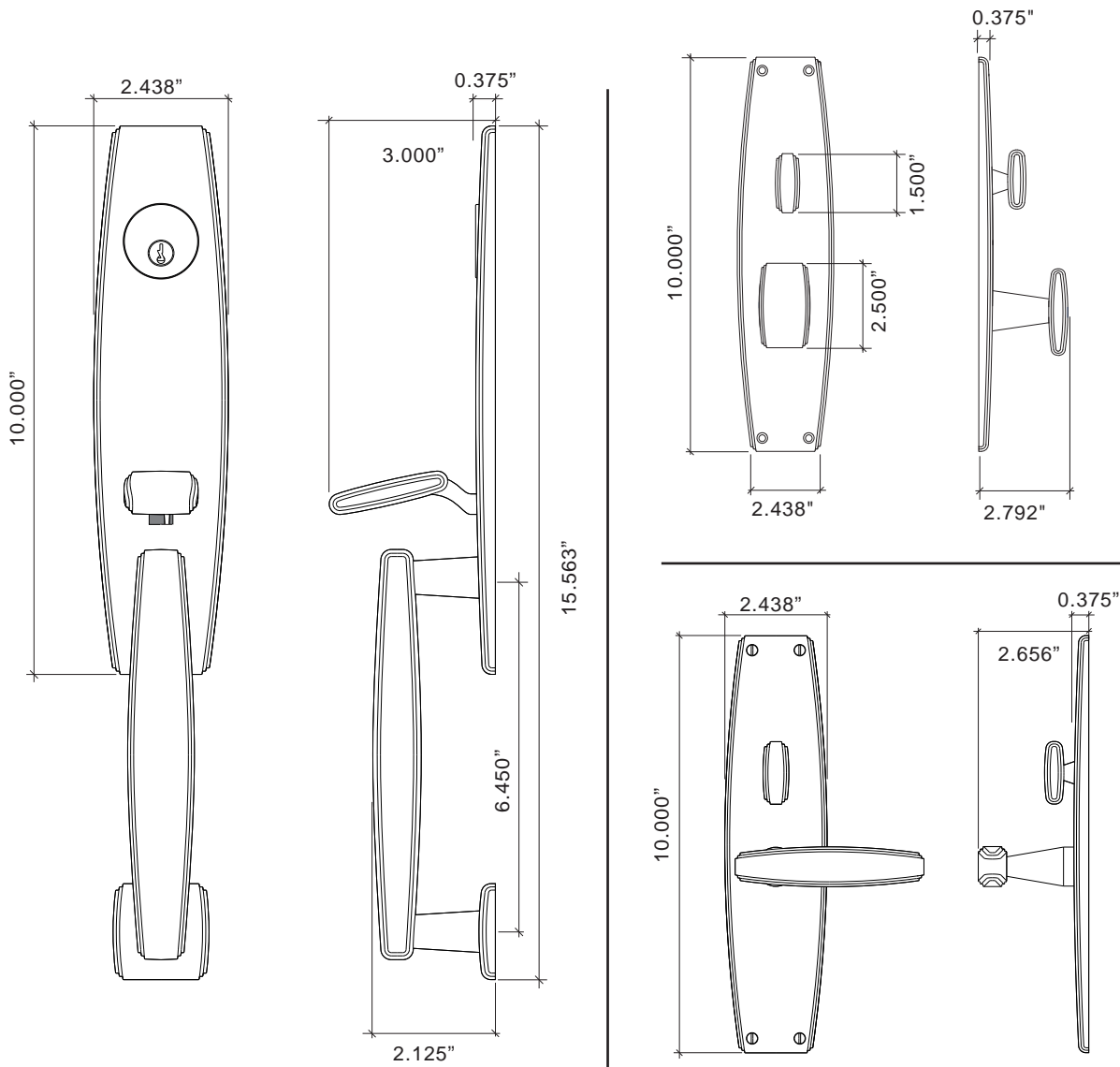
*Handlesets are Made-to-Order		Standard	Distressed	ETERNA
973504	Art Deco Handleset Entry with Knob	2364.23	2574.44	2902.64
973508	Art Deco Handleset Full Dummy with Knob	1688.21	1849.59	2108.70

Art Deco Handleset with Lever

*Handlesets are Made-to-Order		Standard	Distressed	ETERNA
971504	Art Deco Handleset Entry with Lever	2375.05	2583.46	2915.26
971508	Art Deco Handleset Full Dummy with Lever	1699.03	1858.61	2121.30

All Prices in US Dollars - Prices Subject to Change Without Notice
Please Check with Customer Service for Up to Date Pricing.

Prices are based upon a standard 1.75 inch door thickness and 2.5 inch backset lock. Other backsets and accommodations for alternate door thicknesses are available at extra cost. Please check with customer service.



Art Deco Handleset



Art Deco Handleset
Exterior



Interior Lever



Interior Knob

-
- Solid Forged Brass Art Deco Handleset with Detailed Thumb Latch and Plate
 - Art Deco design
 - Interior trim options: Knob/Lever on Escutcheon or Full Interior Handleset, all in Solid Forged Brass
 - Prices are based upon a standard 1.75 inch door thickness and 2.5 inch backset lock. Other backsets and accommodations for alternate door thicknesses are available at extra cost. Please check with customer service.



Art Deco Multi-Point Trim - American Cylinder

*Multi-Point Trim is Made-to-Order		Standard	Distressed	ETERNA
72501	Art Deco American Cylinder MP Active	1,345.96	1,554.62	1,711.75
72502	Art Deco American Cylinder Full Dummy	956.47	1,119.28	1,243.66
72503	Art Deco American Cylinder Passage	991.24	1,154.06	1,278.43
72504	Art Deco American Cylinder Patio	1,115.71	1,300.60	1,440.26
72505	Art Deco American Cylinder Fixed Ext./Active Int.	1,077.54	1,240.36	1,364.73

All Prices in US Dollars - Prices Subject to Change Without Notice
Please Check with Customer Service for Up to Date Pricing.



Art Deco Multi-Point Trim - European Profile Cylinder

*Multi-Point Trim is Made-to-Order		Standard	Distressed	ETERNA
71501	Art Deco European Profile Cylinder MP Active	1,329.78	1,517.60	1,661.03
71502	Art Deco European Profile Cylinder Full Dummy	956.47	1,119.28	1,243.66
71503	Art Deco European Profile Cylinder Passage	991.24	1,154.06	1,278.43
71504	Art Deco European Profile Cylinder Patio	1,241.20	1,424.80	1,565.07
71505	Art Deco European Profile Cylinder Fixed Ext./Active Int.	1,077.54	1,240.36	1,364.73

Art Deco Multi-Point Trim

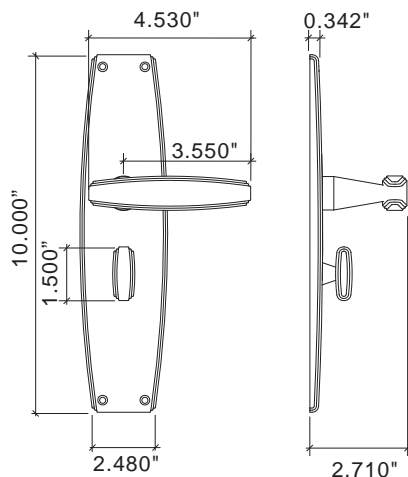


Von Morris Art Deco Multi-Point lock trim is Custom Made to Order. Your trim will be crafted to the door specifications/details/measurements you provide.

All Von Morris Escutcheon Plates may be modified to fit a multitude of Multi-Point locks in either Euro Profile Cylinder or American Cylinder.

The Von Morris American Cylinder Multi-Point trim is different from other manufacturers. Von Morris has redesigned every aspect of the Multi-Point Trim, including the American Cylinder Mounting Blocks. Instead of one generic block mounted to all styles, each suite gets its own unique suited block. For Profile Cylinder trims, the turn piece mounted to the Profile Cylinder is the same design as the trim.

Von Morris is the only mainline manufacturer to stay true to its suited line, offering the same attention to detail that is available in every Knob, Lever, Rose and Escutcheon Plate. This allows you to complete a full hardware schedule with the same style, detail, quality, and value for which the Von Morris product has come to be known.



- Solid forged brass with Art Deco Lever and Plate.
- Sleek Streamlined Art Deco design.
- Adaptor for American cylinder block has the same detailing as rest of Deco suite.
- Turn pieces for both American cylinder and European Profile cylinder share the same detailing as rest of Deco suite.



ART DECO



All Prices in US Dollars - Prices Subject to Change Without Notice
Please Check with Customer Service for Up to Date Pricing.



Art Deco Escutcheon Sets with Art Deco Knob

	Entry Mortise	Standard	Distressed	ETERNA
981602	Art Deco Escutcheon Set w/Knob -Entry Mortise Set	1,704.09	1,938.35	2,128.79
981608	Art Deco Escutcheon Set w/Knob -Entry Mortise Dummy	984.72	1,159.25	1,282.00
IML Mortise Sets				
81601	Art Deco Escutcheon Set w/Knob - IML Passage	1,195.95	1,384.65	1,533.16
81602	Art Deco Escutcheon Set w/Knob - IML Privacy	1,377.91	1,585.11	1,743.03
81603	Art Deco Escutcheon Set w/Knob - IML Bit Key	1,297.58	1,491.22	1,644.44
81604	Art Deco Escutcheon Set w/Knob- IML Single	1,458.09	1,678.17	1,849.29
81605	Art Deco Escutcheon Set w/Knob - IML Double	1,436.04	1,649.00	1,818.32
81606	Art Deco Escutcheon Set w/Knob - IML Patio Set	1,361.86	1,568.13	1,725.93
Tubular Latch Sets				
816014	Art Deco Escutcheon Set w/Knob - TL Passage, 2-3/4 BS	926.84	1,093.51	1,220.77
816018	Art Deco Escutcheon Set w/Knob - TL Passage, 2-3/8 BS	926.84	1,093.51	1,220.77
816024	Art Deco Escutcheon Set w/Knob - TL Privacy, 2-3/4 BS	1,078.62	1,265.82	1,400.62
816028	Art Deco Escutcheon Set w/Knob - TL Privacy, 2-3/8 BS	1,078.62	1,265.82	1,400.62
816022	Art Deco Escutcheon Set w/Knob - Privacy (Passage TL with Mortise Bolt 2-3/8 BS)	1,159.25	1,233.65	1,282.00
Dummy Trim				
81607	Art Deco Escutcheon Set w/Knob - Single Dummy	494.30	581.56	642.93
81608	Art Deco Escutcheon Set w/Knob - Pair of Dummies	984.72	1,159.25	1,282.00

Prices are based upon a standard 1.75 inch door thickness and 2.5 inch backset lock. Other backsets and accommodations for alternate door thicknesses are available at extra cost. Please check with customer service.



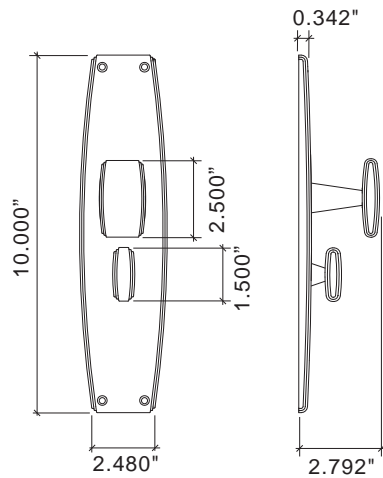
Art Deco Escutcheon Sets with Art Deco Lever

	Entry Mortise	Standard	Distressed	ETERNA
981612	Art Deco Escutcheon Set w/Lever -Entry Mortise Set	1,704.09	1,938.35	2,128.79
981618	Art Deco Escutcheon Set w/Lever -Entry Mortise Dummy	1,006.37	1,177.28	1,307.24
IML Mortise Sets				
81611	Art Deco Escutcheon Set w/Lever - IML Passage	1,217.60	1,402.68	1,558.40
81612	Art Deco Escutcheon Set w/Lever - IML Privacy	1,399.54	1,603.15	1,768.29
81613	Art Deco Escutcheon Set w/Lever - IML Bit Key	1,319.22	1,509.25	1,668.75
81614	Art Deco Escutcheon Set w/Lever - IML Single	1,479.72	1,696.20	1,874.55
81615	Art Deco Escutcheon Set w/Lever - IML Double	1,457.68	1,667.02	1,843.57
81616	Art Deco Escutcheon Set w/Lever - IML Patio Set	1,383.51	1,586.57	1,751.28
Tubular Latch Sets				
816114	Art Deco Escutcheon Set w/Lever - TL Passage, 2-3/4 BS	948.48	1,111.54	1,246.01
816118	Art Deco Escutcheon Set w/Lever - TL Passage, 2-3/8 BS	948.88	1,111.54	1,246.01
816124	Art Deco Escutcheon Set w/Lever - TL Privacy, 2-3/4 BS	1,100.26	1,283.85	1,426.25
816128	Art Deco Escutcheon Set w/Lever - TL Privacy, 2-3/8 BS	1,100.26	1,283.85	1,426.25
816122	Art Deco Escutcheon Set w/Lever - Privacy (Passage TL with Mortise Bolt 2-3/8 BS)	1,255.28	1,475.63	1,660.09
Dummy Trim				
81617	Art Deco Escutcheon Set w/Lever - Single Dummy	505.11	590.57	655.56
81618	Art Deco Escutcheon Set w/Lever - Pair of Dummies	1,006.37	1,177.28	1,307.24

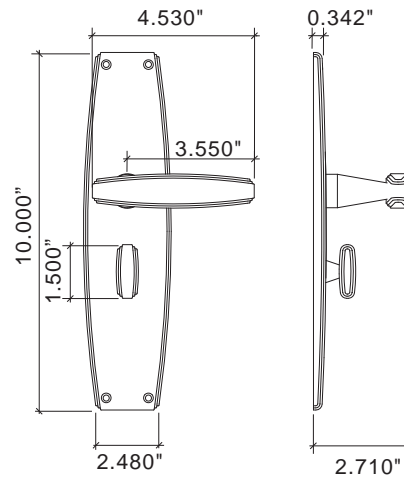


- Classic Art Deco Design
- Forged Brass Escutcheon Inside and Outside
- Solid Forged Brass Knob/Lever
- Hand Polished
- Plates available with Cuts for all Von Morris Locks as well as Custom Cuts for other Manufacturers' Locks
- Specify door thickness when ordering
- All IML Privacy and Tubular Mortise Bolt Privacy Sets come with ER Trim Standard on the Exterior. Exterior Bit Key Trim can be substituted for no additional charge.

Art Deco Trim with Art Deco Knob 8804-250



Art Deco Trim with Art Deco Lever 8829





Art Deco Knob with Small Art Deco Rose

Entry Mortise		Standard	Distressed	ETERNA
90425/54172	Art Deco Knob with Small Rose - Entry Mortise	1174.38	1311.47	1435.20
IML Mortise Sets				
0425/54171	Art Deco Knob with Small Rose - IML Passage	582.95	660.23	731.07
0425/54172	Art Deco Knob with Small Rose - IML Privacy	861.58	973.95	1066.90
0425/54173	Art Deco Knob with Small Rose - IML Bit Key	800.18	902.55	993.15
0425/54174	Art Deco Knob with Small Rose - IML Single	928.37	1051.30	1155.70
0425/54175	Art Deco Knob with Small Rose - IML Double	899.00	1016.03	1119.25
Tubular Latch Sets				
042411	Art Deco Knob with Small Rose - TL Passage, 2-3/4 BS	421.95	496.65	557.19
042412	Art Deco Knob with Small Rose - TL Passage, 2-3/8 BS	421.95	496.65	557.19
042415	Art Deco Knob with Small Rose - Privacy (Passage TL with Mortise Bolt 2-3/8 BS)	717.32	846.43	958.71
Dummy Trim				
0425/54177	Art Deco Knob with Small Rose - Single Dummy	194.24	225.79	248.33
0425/54178	Art Deco Knob with Small Rose - Pair of Dummies	377.64	441.27	831.35

Entry Mortise Set Prices are based upon a standard 1.75 inch door thickness and 2.5 inch backset lock. Other backsets and accommodations for alternate door thicknesses are available at extra cost. Please check with customer service.

All IML Privacy and Tubular Mortise Bolt Privacy Sets come with ER Trim Standard on the Exterior. Exterior Bit Key Trim can be substituted for no additional charge.



Art Deco Knob with Large Art Deco Rose

Entry Mortise		Standard	Distressed	ETERNA
90425/54262	Art Deco Knob with Large Rose - Entry Mortise	780.39	862.33	923.20
IML Mortise Sets				
0425/54261	Art Deco Knob with Large Rose - IML Passage	399.05	456.26	492.78
0425/54262	Art Deco Knob with Large Rose - IML Privacy	553.51	633.87	693.57
0425/54263	Art Deco Knob with Large Rose - IML Bit Key	548.34	623.51	674.13
0425/54264	Art Deco Knob with Large Rose - IML Single	586.91	675.10	740.65
0425/54265	Art Deco Knob with Large Rose - IML Double	591.36	678.01	737.24
Tubular Latch Sets				
042421	Art Deco Knob with Large Rose - TL Passage, 2-3/4 BS	308.98	359.32	391.32
042422	Art Deco Knob with Large Rose - TL Passage, 2-3/8 BS	308.98	359.32	391.32
042423	Art Deco Knob with Large Rose - TL Privacy, 2-3/4 BS	337.13	391.37	426.29
042424	Art Deco Knob with Large Rose - TL Privacy, 2-3/8 BS	337.13	391.37	426.29
042425	Art Deco Knob with Large Rose - Privacy (Passage TL with Mortise Bolt 2-3/8 BS)	458.70	539.37	599.30
Dummy Trim				
0425/54267	Art Deco Knob with Large Rose - Single Dummy	127.08	147.78	160.43
0425/54268	Art Deco Knob with Large Rose - Pair of Dummies	262.20	303.60	328.90

All Prices in US Dollars - Prices Subject to Change Without Notice
Please Check with Customer Service for Up to Date Pricing.

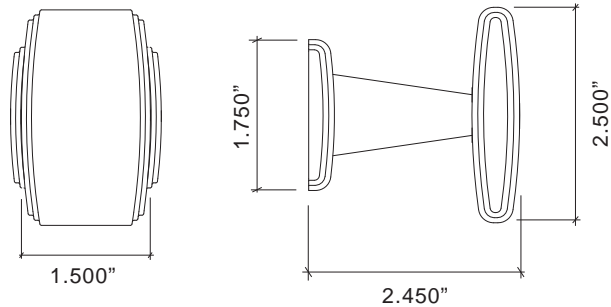
Art Deco Knob on Rose

Art Deco Knob with Small Art Deco Rose



Art Deco Knob 8804-250
Small Art Deco Rose 8854-175

- Classic Art Deco Design
- Solid Forged Brass Knob and Rose
- Hand Polished
- Fully Concealed Mounting
- All Von Morris Knobs can be used with any Rose or Escutcheon Plate
- All IML Privacy and Tubular Mortise Bolt Privacy Sets come with ER Trim Standard on the Exterior. Exterior Bit Key Trim can be substituted for no additional charge.
- All Art Deco Trim is custom made to order and available in every Von Morris finish.

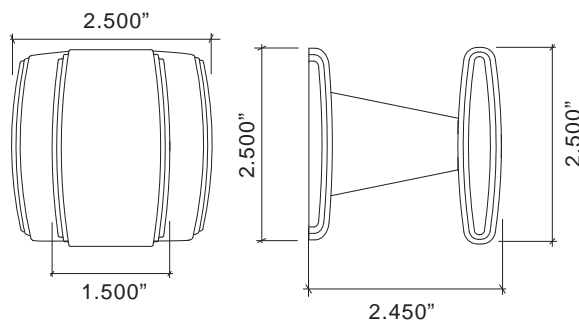


Art Deco Knob with Large Art Deco Rose



Art Deco Knob 8804-250
Large Art Deco Rose 8854-262

- Classic Art Deco Design
- Solid Forged Brass Knob and Rose
- Hand Polished
- Fully Concealed Mounting
- All Von Morris Knobs can be used with any Rose or Escutcheon Plate
- All IML Privacy and Tubular Mortise Bolt Privacy Sets come with ER Trim Standard on the Exterior. Exterior Bit Key Trim can be substituted for no additional charge.
- All Art Deco Trim is custom made to order and available in every Von Morris finish.





ART DECO



All Prices in US Dollars - Prices Subject to Change Without Notice
Please Check with Customer Service for Up to Date Pricing.

Art Deco Lever with Small Art Deco Rose

Entry Mortise		Standard	Distressed	ETERNA
98829/54172	Art Deco Lever with Small Rose - Entry Mortise	1196.02	1329.50	1461.74
IML Mortise Sets				
8829/54171	Art Deco Lever with Small Rose - IML Passage	604.59	678.26	756.31
8829/54172	Art Deco Lever with Small Rose - IML Privacy	883.22	991.98	1093.43
8829/54173	Art Deco Lever with Small Rose - IML Bit Key	821.82	920.59	1018.39
8829/54174	Art Deco Lever with Small Rose - IML Single	950.02	1069.04	1182.25
8829/54175	Art Deco Lever with Small Rose - IML Double	920.63	1034.06	1144.49
Tubular Latch Sets				
290411	Art Deco Lever with Small Rose - TL Passage, 2-3/4 BS	443.59	514.68	582.69
290412	Art Deco Lever with Small Rose - TL Passage, 2-3/8 BS	443.59	514.68	582.69
290415	Art Deco Lever with Small Rose - Privacy (Passage TL with Mortise Bolt 2-3/8 BS)	738.97	864.47	983.95
Dummy Trim				
8829/54177	Art Deco Lever with Small Rose - Single Dummy	205.05	234.81	260.95
8829/54178	Art Deco Lever with Small Rose - Pair of Dummies	399.80	459.30	511.59

All IML Privacy and Tubular Mortise Bolt Privacy Sets come with ER Trim Standard on the Exterior. Exterior Bit Key Trim can be substituted for no additional charge.

Entry Mortise Set Prices are based upon a standard 1.75 inch door thickness and 2.5 inch backset lock. Other backsets and accommodations for alternate door thicknesses are available at extra cost. Please check with customer service.



Art Deco Lever with Large Art Deco Rose

Entry Mortise		Standard	Distressed	ETERNA
98829/54262	Art Deco Lever with Large Rose - Entry Mortise	1217.67	1352.94	1479.77
IML Mortise Sets				
8829/54261	Art Deco Lever with Large Rose - IML Passage	626.22	701.71	774.34
8829/54262	Art Deco Lever with Large Rose - IML Privacy	904.85	1015.42	1111.46
8829/54263	Art Deco Lever with Large Rose - IML Bit Key	843.47	944.01	1036.43
8829/54264	Art Deco Lever with Large Rose - IML Single	971.66	1092.76	1200.28
8829/54265	Art Deco Lever with Large Rose - IML Double	944.36	1053.33	1160.74
Tubular Latch Sets				
290421	Art Deco Lever with Large Rose - TL Passage, 2-3/4 BS	492.27	565.18	560.28
290422	Art Deco Lever with Large Rose - TL Passage, 2-3/8 BS	492.27	565.18	560.28
290423	Art Deco Lever with Large Rose - TL Privacy, 2-3/4 BS	528.33	601.24	659.71
290424	Art Deco Lever with Large Rose - TL Privacy, 2-3/8 BS	528.33	601.24	659.71
290425	Art Deco Lever with Large Rose - Privacy (Passage TL with Mortise Bolt 2-3/8 BS)	787.65	914.95	1030.32
Dummy Trim				
8829/54267	Art Deco Lever with Large Rose - Single Dummy	215.87	246.53	269.96
8829/54268	Art Deco Lever with Large Rose - Pair of Dummies	421.43	482.75	529.62

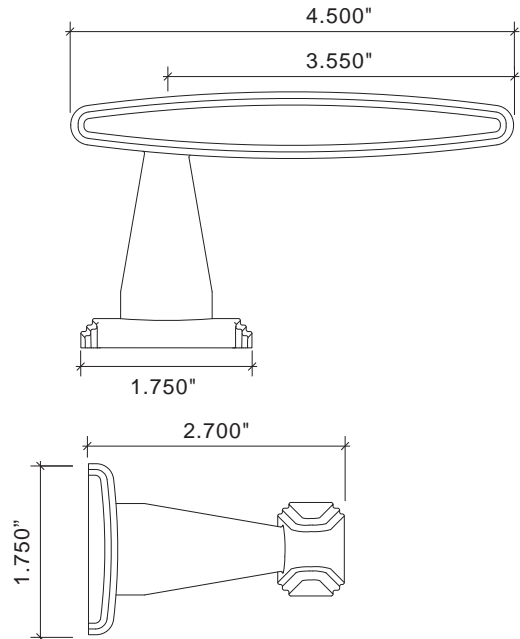
Art Deco Lever on Rose

Art Deco Lever with Small Art Deco Rose

Art Deco Lever 8829
Small Art Deco Rose 8854-175



- Classic Art Deco Design
- Solid Forged Brass Lever and Rose
- Hand Polished
- Fully Concealed Mounting
- All Von Morris Levers can be used with any Rose or Escutcheon Plate
- All IML Privacy and Tubular Mortise Bolt Privacy Sets come with ER Trim Standard on the Exterior. Exterior Bit Key Trim can be substituted for no additional charge

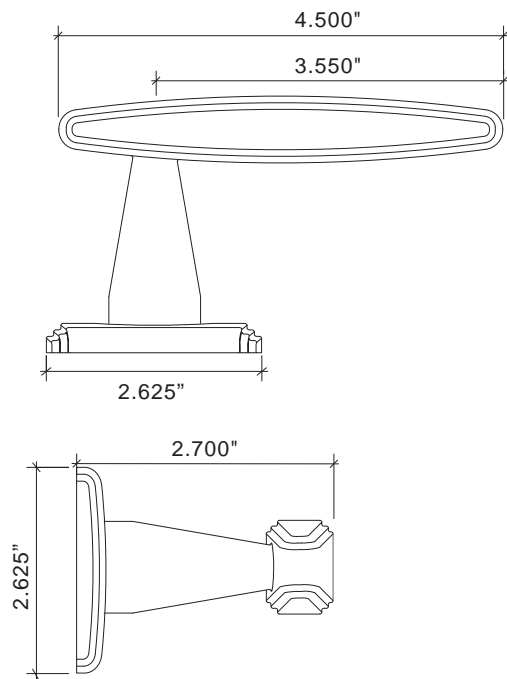


Art Deco Lever with Large Art Deco Rose

Art Deco Lever 8829
Large Art Deco Rose 8854-262



- Classic Art Deco Design
- Solid Forged Brass Lever and Rose
- Hand Polished
- Fully Concealed Mounting
- All Von Morris Levers can be used with any Rose or Escutcheon Plate
- All IML Privacy and Tubular Mortise Bolt Privacy Sets come with ER Trim Standard on the Exterior. Exterior Bit Key Trim can be substituted for no additional charge



Art Deco - Plain Bearing - Lift Off - Standard Weight

	<i>Handed and Priced as Eaches</i>	Standard	Distressed	ETERNA
HIN-198	3.5" x 4.0" Art Deco Lift Off Hinge	120.00	132.00	144.00
HIN-199	4.0" x 4.5" Art Deco Lift Off Hinge	135.00	148.00	160.00
HIN-200	4.5" x 5.0" Art Deco Lift Off Hinge	146.00	160.00	175.00



Art Deco Two Knuckle - Plain Bearing - Lift Off - Standard Weight

Hinge Body: Hinge body is manufactured from CDA alloy 38500 brass. It is machined from an extruded bar, resulting in a hinge with high strength and precision tolerances.

Knuckle Covers: Knuckle covers are CNC machined from brass bar stock and affixed to the hinge body with stainless steel concealed screws.

Finish: Hinges are individually hand polished assuring an even finish with no unpolished areas. Von Morris extruded hinges are available in over 30 standard finishes. Custom finishing is available. Please refer to the Price List.

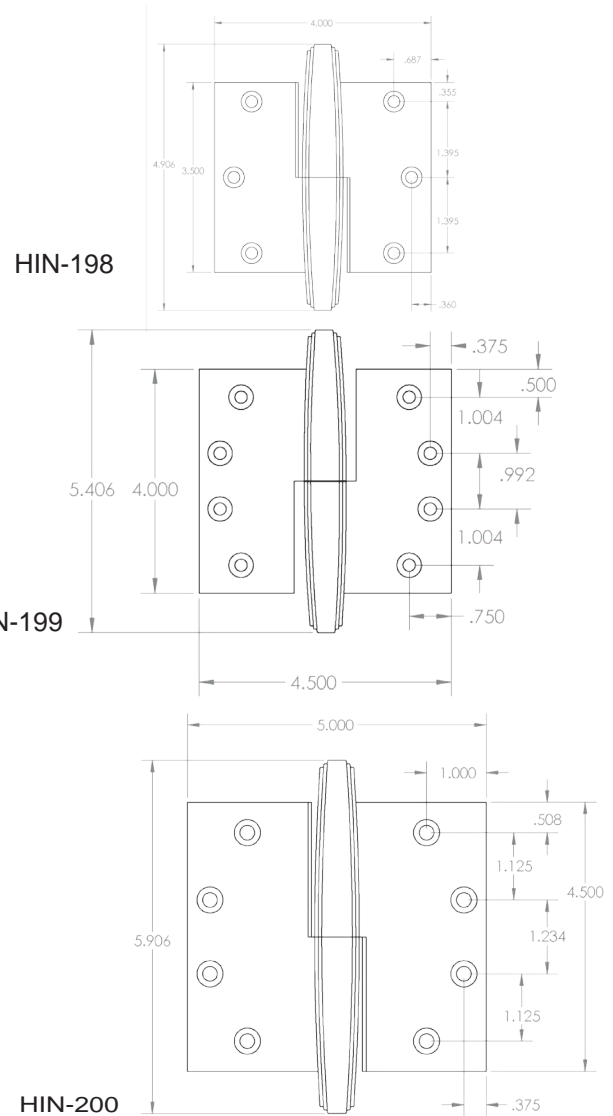
Pins: Pins are machined from 304 Stainless Steel for high durability and resistance to rust. The exposed end is rounded to facilitate re-assembly, while the other end is permanently affixed to the bottom leaf.

Fasteners: All hinges are provided with type "A" tapping screws. These are solid brass, flat head, counter sunk, undercut phillips head screws. All screws are lacquered to prevent tarnishing. Screws are bagged either six per bag or eight per bag to facilitate sales of single hinges.
#12 machine screws available upon request.

Number of Hinges: For doors up to 89 inches, use three hinges. For each additional 30 inches or fraction thereof, use one additional hinge.

Packing: Two hinges per box with screws and button finials. Each hinge is poly bagged to prevent scratching. Hinges are packed 20 boxes per master carton.

Art Deco • Plain Bearing • Lift Off • Standard Weight



Part Number	Height of Leaf	Width of Hinge	Leaf Thickness	Length of Knuckle	Screw Size	Number of Screws per hinge	Hinges per Box	Weight per Box
HIN-198	3.5"	4.0"	0.130"	4.906"	10 x 1.00"	6	2 pieces	1.3 lbs
HIN-199	4.0"	4.5"	0.134"	5.910"	12 x 1.25"	8	2 pieces	2.2 lbs
HIN-200	4.5"	5.0"	0.146"	5.906"	13 x 1.25"	8	2 pieces	2.0 lbs

- Solid Extruded Brass hinge body with CNC machined decorative cover
- Two Knuckle Lift Off Hinges are specified and priced as eaches.
- All hinges have template screw hole locations for use with either wood or hollow metal doors and frames.
- All pins are machined from high grade 304 Stainless Steel material and are affixed to the bottom leaf.
- All hinges are furnished with solid brass phillips head, type "A" tapping screws.
- #12 machine screws for HIN-199 and HIN-200 available upon request, at additional cost.
- All Two Knuckle Hinges are handed. Be sure to specify hand of hinge when ordering.

Art Deco - Ball Bearing - Lift Off - Standard Weight

	<i>Handed and Priced as Eaches</i>	Standard	Distressed	ETERNA
HIN-201	3.5" x 4.0" Art Deco Ball Bearing Lift Off Hinge	130.00	143.00	156.00
HIN-202	4.0" x 4.5" Art Deco Ball Bearing Lift Off Hinge	145.00	160.00	175.00
HIN-203	4.5" x 5.0" Art Deco Ball Bearing Lift Off Hinge	160.00	176.00	192.00



Art Deco - Ball Bearing - Lift Off - Standard Weight

Hinge Body: Hinge body is manufactured from CDA alloy 38500 brass. It is machined from an extruded bar, resulting in a hinge with high strength and precision tolerances.

Knuckle Covers: Knuckle covers are CNC machined from brass bar stock and affixed to the hinge body with stainless steel concealed screws.

Ball Bearings: Each hinge is equipped with one precision machined anti-friction Stainless Steel ball bearing assembly. The two races are machined from 300 series Stainless Steel. The balls are made from through hardened Stainless Steel. The bearing shell is machined from brass of the same alloy as the hinge body to ensure an accurate color match. The construction results in an extremely durable, long life ball bearing which is able to withstand years of hard use and corrosive environments. This bearing greatly increases both the lateral and vertical load bearing capability of the hinge and therefore increases hinge life. They are recommended for doors which receive average frequency use. They are ALWAYS recommended for doors which are equipped with a door closer.

Finish: Hinges are individually hand polished assuring an even finish with no unpolished areas. Von Morris extruded hinges are available in over 30 standard finishes. Custom finishing is available. Please refer to the Price List.

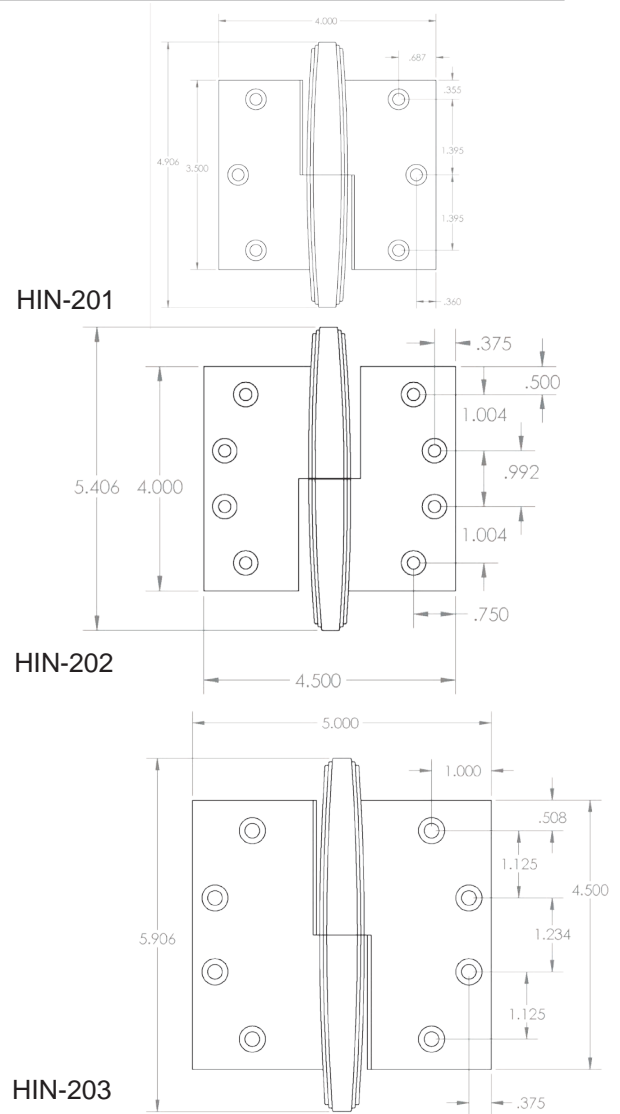
Pins: Pins are machined from 304 Stainless Steel for high durability and resistance to rust. The exposed end is rounded to facilitate re-assembly, while the other end is permanently affixed to the bottom leaf.

Fasteners: All hinges are provided with type "A" tapping screws. These are solid brass, flat head, counter sunk, undercut phillips head screws. All screws are lacquered to prevent tarnishing. Screws are bagged either six per bag or eight per bag to facilitate sales of single hinges.
#12 machine screws available upon request.

Number of Hinges: For doors up to 89 inches, use three hinges. For each additional 30 inches or fraction thereof, use one additional hinge.

Packing: Two hinges per box with screws and button finials. Each hinge is poly bagged to prevent scratching. Hinges are packed 20 boxes per master carton.

Art Deco • Ball Bearing • Lift Off • Standard Weight



Part Number	Height of Leaf	Width of Hinge	Leaf Thickness	Length of Knuckle	Screw Size	Number of Screws per hinge	Hinges per Box	Weight per Box
HIN-201	3.5"	4.0"	0.130"	4.906"	10 x 1.00"	6	2 pieces	1.3 lbs
HIN-202	4.0"	4.5"	0.134"	5.406"	12 x 1.25"	8	2 pieces	2.2 lbs
HIN-203	4.5"	5.0"	0.146"	5.906"	13 x 1.25"	8	2 pieces	2.0 lbs

- Solid Extruded Brass hinge body with CNC machined decorative cover
- **Two Knuckle Lift Off Hinges are specified and priced as eaches.**
- All hinges have template screw hole locations for use with either wood or hollow metal doors and frames.
- All pins are machined from high grade 304 Stainless Steel material and are affixed to the bottom leaf.
- All hinges are furnished with solid brass phillips head, type "A" tapping screws.
- #12 machine screws for HIN-202 and HIN-203 available upon request, at additional cost.
- **All Two Knuckle Hinges are handed.** Be sure to specify hand of hinge when ordering.



Art Deco Olive Knuckle Hinge

*Art Deco Hinges are Handed and Sold as Eaches		Standard	Distressed	ETERNA
16-5032	Art Deco 5.0" X 3.2" Olive Knuckle Hinge*	279.34	327.93	364.36
16-6038	Art Deco 6.0" X 3.8" Olive Knuckle Hinge*	297.96	349.78	388.65
16-6040	Art Deco 6.0" X 4.0" Olive Knuckle Hinge*	333.33	391.31	466.66
16-6045	Art Deco 6.0" X 4.5 Olive Knuckle Hinge*	351.34	412.45	458.28
16-6050	Art Deco 6.0" X 5.0" Olive Knuckle Hinge*	369.98	434.32	482.57

All Prices in US Dollars - Prices Subject to Change Without Notice
Please Check with Customer Service for Up to Date Pricing.



Art Deco Bell Push

		Standard	Distressed	ETERNA
25-8854-175	Small Art Deco Bell Push	185.47	199.64	213.81
25-8854-262	Large Art Deco Bell Push	189.34	202.22	218.96
256-7004	Oblong Art Deco Bell Push	276.92	309.12	338.74

All Prices in US Dollars - Prices Subject to Change Without Notice
Please Check with Customer Service for Up to Date Pricing.



Art Deco Deadbolt

		Standard	Distressed	ETERNA
1885481	Art Deco Deadbolt 2 3/8" Backset, Single Cylinder	299.33	329.19	368.37
1885441	Art Deco Deadbolt 2 3/4" Backset, Single Cylinder	299.33	329.19	368.37
1885482	Art Deco Deadbolt 2 3/8" Backset, Double Cylinder	287.33	315.12	346.60
1885442	Art Deco Deadbolt 2 3/4" Backset, Double Cylinder	287.33	315.12	346.60

Art Deco Olive Knuckle Hinge



- Art Deco Olive Knuckle Hinges are priced and sold as eaches.
- Concealed Stainless Steel Bearing.
- Solid Forged Brass.
- Equipped with one concealed, precision machined, anti-friction bearing assembly per hinge.
- Ball Bearings are machined from 300 series Stainless Steel and employ Stainless Steel balls.
- All pins are precision machined from 300 series Stainless Steel.
- All Art Deco Olive Knuckle hinges are handed. Be sure to specify hand of hinge when ordering.
- See website, www.vonmorris.com for details on Sizes and Installation
- Also see hinge section S for additional information.

Art Deco Bell Push



Small
Art Deco
Bell Push

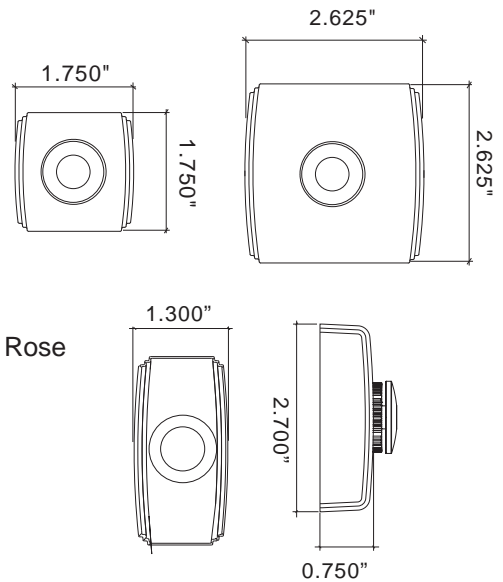


Oblong
Art Deco
Bell Push



Large
Art Deco
Bell Push

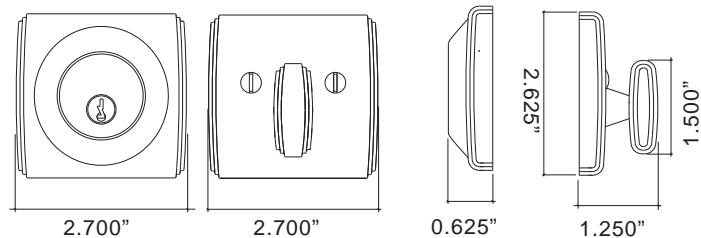
- Classic Art Deco Design
- Solid Forged Brass
- Hand Polished
- Fully Concealed Mounting
- Available in Small, Large or Oblong Rose
- Bright White LED Illuminated Push Button



Art Deco Deadbolt



- Classic Art Deco Design
- Solid Forged Brass
- Hand Polished
- Nicely Paired with Art Deco Knob or Lever on Rose





ART DECO



Art Deco Privacy/Locking Cremone Bolt

<i>Includes Art Deco Suited Trim</i>		Standard	Distressed	ETERNA
BOL122-84	Privacy Cremone Bolt for 7'0 Door	2,508.10	2,730.50	3,033.90
BOL122-96	Privacy Cremone Bolt for 8'0 Door	2,772.84	3,016.26	3,351.41
BOL122-120	Privacy Cremone Bolt for 10'0 Door	3,302.04	3,587.80	4,012.40

All Prices in US Dollars - Prices Subject to Change Without Notice
Please Check with Customer Service for Up to Date Pricing.

Art Deco Dummy Privacy Cremone Bolt

<i>Includes Art Deco Suited Trim</i>		Standard	Distressed	ETERNA
BOL124-84	Dummy Privacy Cremone Bolt for 7'0 Door	1,279.80	1,396.20	1,550.00
BOL124-96	Dummy Privacy Cremone Bolt for 8'0 Door	1,609.60	1,753.40	1,946.76
BOL124-120	Dummy Privacy Cremone Bolt for 10'0 Door	2,271.00	2,467.82	2,740.42

Supplied Standard



2100-US
Universal Strike



9941-045
Double Sided
Special Spindle



9150
Rim Cylinder

Optional Accessories



2100-AS
Angle Strike



ACC186
Art Deco Box Strike

Cremone Bolt Accessories

		Standard	Distressed	ETERNA
2100-AS	Optional Angle Strike	20.56	22.15	23.72
ACC186	Art Deco Box Strike	66.00	73.00	82.00
9150	Rim Cylinder	58.80	63.50	70.56
		Mill Finish		
9931-020	Single Sided 2.0" Spindle	28.00		
9941-045	Double Sided 4.5" Spindle	72.80		
2700-06A	Double Sided 6.0" Spindle for Thick Doors 3" Max Thickness	72.80		



ART DECO



Art Deco Locking Privacy Cremone Bolt



Features:

Von Morris Art Deco Cremone Bolts feature a solid brass case CNC milled from brass billet and guides with an internal mechanism of brass and stainless steel. The Locking Cremone case is very narrow, less than 1.7", for use on narrow stiles of French doors and windows. Cremone Bolt locks from the exterior with a rim cylinder and inside with a turnpiece. Cremone case contains a cassette mechanism that can be handed simply by reversing the cassette. The Cremone can also be easily changed from lever operation (90° rotation) to knob operation (180°) simply by relocating the spindle. Shoot Bolts are attached to the Cremone mechanism with machine screws. Cremone Bolt design is very clean, featuring concealed Shoot Bolt guides. **Price Includes Art Deco Turnpiece and Cylinder Collar along with either a pair of Art Deco Levers or Knobs, and a small Art Deco Rose for the exterior**

Guides::

End Guides have a flat spring operating on the front of the bolt to prevent rattling. The length of the Guide and placement of the spring conceals any scratches on the bolt caused by the spring. This End Guide design allows the bolts to be installed on the door and then cut to length at the job site.

Locking Cremone Case Size:

Length of Cassette:	10.825"
Width:	1.650"
Height to edge of case:	0.900"
Height to face of knob/lever boss:	1.100"
Spindle hub to turnpiece spacing:	2.250"
Spindle hub to cylinder spacing:	2.467"

Spindle Height: Standard Spindle height is 42".

Standard Lengths: 7', 8' and 10'. Other sizes by special order.
Bolts can be cut to size at job site.

Hub Rotation: Knob - 180° rotation. Lever - 90° rotation.

Throw: Knob Operation – 1.00" Lever Operation – 0.75"

Spindle: Cremones are supplied with a special spindle for double sided operation

Bolts: Bottom bolt: 0.625" wide x 40.01"
Top bolt: 0.625" wide x 40.03" for a 7.0' Door
Top bolt: 0.625" wide x 52.92" for a 8.0' Door
Top bolt: 0.625" wide x 76.92" for a 10.0' Door

Strikes: Cremone Bolts are supplied with Mortise and Universal strikes. Angle strikes and Box strikes are available at an additional cost.



ART DECO



Art Deco Standard/Passage Cremone Bolt

<i>Includes Art Deco Suited Trim</i>		Standard	Distressed	ETERNA
BOL123-84	Standard Cremone Bolt for 7'0 Door	1,069.90	1,169.93	1,298.31
BOL123-96	Standard Cremone Bolt for 8'0 Door	1,334.50	1,455.70	1,615.50
BOL123-120	Standard Cremone Bolt for 10'0 Door	1,863.65	2,027.25	2,250.00

All Prices in US Dollars - Prices Subject to Change Without Notice
Please Check with Customer Service for Up to Date Pricing.



Supplied Standard



2100-US
Universal Strike



9941-045
Double Sided
Special Spindle



9150
Rim Cylinder

Optional Accessories



2100-AS
Angle Strike



ACC186
Art Deco Box Strike

Cremone Bolt Accessories

		Standard	Distressed	ETERNA
2100-AS	Optional Angle Strike	20.56	22.15	23.72
ACC186	Art Deco Box Strike	66.00	73.00	82.00
9150	Rim Cylinder	58.80	63.50	70.56
		Mill Finish		
9931-020	Single Sided 2.0" Spindle	28.00		
9941-045	Double Sided 4.5" Spindle	72.80		
2700-06A	Double Sided 6.0" Spindle for Thick Doors 3" Max Thickness	72.80		



ART DECO



Art Deco Standard/Passage Cremone Bolt



Features:

Von Morris Art Deco Cremone Bolts feature a solid brass case CNC milled from brass billet and guides with an internal mechanism of brass and stainless steel. The Standard Cremone case is very narrow, just over 1.5", for use on narrow stiles of French doors and windows. Cremone case contains a cassette mechanism that can be handed simply by reversing the cassette. The Cremone can also be easily changed from lever operation (90° rotation) to knob operation (180°) simply by relocating the spindle. Shoot Bolts are attached to the Cremone mechanism with machine screws. **Price Includes a half pair of Art Deco Levers or Knobs.**

Guides:

End Guides have a flat spring operating on the front of the bolt to prevent rattling. The length of the Guide and placement of the spring conceals any scratches on the bolt caused by the spring. This End Guide design allows the bolts to be installed on the door and then cut to length at the job site.

Locking Cremone Case Size:

Length of Cassette:	8.100"
Width:	1.520"
Height to edge of case:	0.900"
Height to face of knob/lever boss:	1.100"
Spindle hub to turnpiece spacing:	2.250"
Spindle hub to cylinder spacing:	2.467"

Spindle Height: Standard Spindle height is 42".

Standard Lengths: 7', 8' and 10'. Other sizes by special order.
Bolts can be cut to size at job site.

Hub Rotation: Knob - 180° rotation. Lever - 90° rotation.

Throw: Knob Operation – 1.00" Lever Operation – 0.75"

Spindle: Cremones are supplied with a special spindle for double sided operation

Bolts: Bottom bolt: 0.625" wide x 40.01"
Top bolt: 0.625" wide x 40.03" for a 7.0' Door
Top bolt: 0.625" wide x 52.92" for a 8.0' Door
Top bolt: 0.625" wide x 76.92" for a 10.0' Door

Strikes: Cremone Bolts are supplied with Mortise and Universal strikes. Angle strikes and Box strikes are available at an additional cost.



All Prices in US Dollars - Prices Subject to Change Without Notice
Please Check with Customer Service for Up to Date Pricing.

Art Deco Upright Floor Door Stop

		Standard	Distressed	ETERNA
STP022	Art Deco Upright Floor Door Stop	180.00	198.00	216.00



Art Deco Upright Floor Door Stop with Magnet Holder

		Standard	Distressed	ETERNA
STP022M	Art Deco Floor Door Stop with Magnet Holder	215.00	237.00	258.00



Art Deco Wall Mount Door Stop

		Standard	Distressed	ETERNA
STP024	Art Deco Wall Mount Door Stop	180.00	198.00	216.00



Art Deco Wall Mount Door Stop with Magnet Holder

		Standard	Distressed	ETERNA
STP024M	Art Deco Wall Mount Door Stop with Magnet Holder	215.00	237.00	258.00

Replacement Rubber

		Standard
2359	Replacement Rubber for STP022 and STP024	5.60
2359B	Replacement Black Rubber for STP022 and STP024	7.84
2359BM	Replacement Black Rubber for STP022M and STP024M. Magnet rubber only available in black.	25.75

Art Deco Upright Floor Door Stop



STP022 Art Deco Upright Floor Door Stop

- Art Deco design coordinates with our Art Deco Suited Hardware.
- Features: Solid CNC Machined Brass, Heavy Duty.
- Packed: 1 per box with matching wood screws and hanger bolt and expansion shield.
- Weight: 0.66 lbs. per box.
- Replacement Rubber - 2359.
- Black Replacement Rubber available at additional price - 2359B.

Dimensions: Height 2.75" Base Diameter 2.25"

Art Deco Upright Floor Door Stop with Magnet Holder



STP022 Art Deco Upright Floor Door Stop with Magnet Holder

- Art Deco design coordinates with our Art Deco Suited Hardware.
- Features: Solid CNC Machined Brass, Heavy Duty.
- Neodymium Supermagnets are concealed within the rubber bumper. Supplied with a brass plate and powdercoated steel insert for mounting to the door sash.
- Packed: 1 per box with matching wood screws and hanger bolt and expansion shield.
- Weight: 0.66 lbs. per box.
- Rubber only available in Black.
- Replacement Rubber - 2359BM.

Dimensions: Height 2.75" Base Diameter 2.25"

Art Deco Wall Mount Door Stop



STP024 Art Deco Wall Mount Door Stop

- Art Deco design coordinates with our Art Deco Suited Hardware.
- Features: Solid CNC Machined Brass, Heavy Duty.
- Packed: 1 per box with matching wood screws and hanger bolt and expansion shield.
- Weight: 0.66 lbs. per box.
- Replacement Rubber - 2359.
- Black Replacement Rubber available at additional price - 2359B.

Dimensions: Projection 3.25" Base Diameter 2.25"

Art Deco Wall Mount Door Stop with Magnet Holder



STP024M Art Deco Wall Mount Door Stop with Magnet Holder

- Art Deco design coordinates with our Art Deco Suited Hardware.
- Features: Solid CNC Machined Brass, Heavy Duty.
- Neodymium Supermagnets are concealed within the rubber bumper. Supplied with a brass plate and powdercoated steel insert for mounting to the door sash.
- Packed: 1 per box with matching wood screws and hanger bolt and expansion shield.
- Weight: 0.66 lbs. per box.
- Rubber only available in Black.
- Replacement Rubber - 2359BM.

Dimensions: Projection 3.25" Base Diameter 2.25"



Art Deco Pocket Door Lock Set

* Art Deco Pocket Door Trim is Made to Order		Standard	Distressed	ETERNA
8284590	Art Deco Pocket Door Lock, Passage	1147.61	1290.58	1496.66
8284591	Art Deco Pocket Door Lock, Privacy	1116.70	1280.27	1464.46
8284593	Art Deco Pocket Door Lock, Single Cylinder	1140.85	1306.03	1483.78
8284594	Art Deco Pocket Door Lock, Double Cylinder	1134.73	1297.65	1470.90
8284592	Art Deco Pocket Door Lock, Cut for Bit Key	1108.00	1272.87	1461.24
8284595	Art Deco Pocket Door Lock, Non Latch Passage	1053.58	1214.58	1387.18
8284596	Art Deco Pocket Door Lock, Patio Function	1116.70	1280.27	1464.46
8284597	Art Deco Pocket Door Lock, Edge Pull Set	1018.81	1179.81	1351.11

All Prices in US Dollars - Prices Subject to Change Without Notice
Please Check with Customer Service for Up to Date Pricing.



Art Deco Tilt Turn Trim

		Standard	Distressed	ETERNA
700429	Art Deco Cover with Art Deco Lever	321.55	366.11	400.57

All Prices in US Dollars - Prices Subject to Change Without Notice
Please Check with Customer Service for Up to Date Pricing.



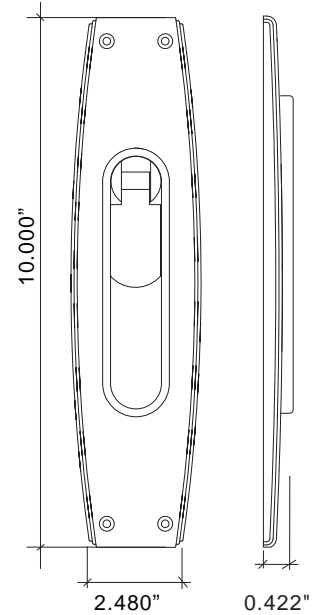
Art Deco Handrail Bracket

		Standard	Distressed	ETERNA
26-5417	Handrail Bracket with Small Art Deco Rose	130.89	151.47	169.58
26-5426	Handrail Bracket with Large Art Deco Rose	140.76	162.17	181.34

Art Deco Pocket Door Lock



- Classic Art Deco Design
- Solid Forged Brass Plate
- Solid Forged Brass Finger Pull
- Hand Polished
- Plates available in Five Options:
 - Drop Ring
 - ER Button
 - Cut for Cylinder
 - Bit Key
 - Blank
- Suited Pocket Door Hardware is Made-to-Order, Non cancelable, once ordered, and Non-Returnable
- Plates are Surface Mounted
- Minimum Door Thickness 1 3/4"
- Requires 1/2" to 5/8" of clearance at the pocket.
- **See Pocket Door Section for More Detailed Information on how to prepare the Door and Pocket Trim**

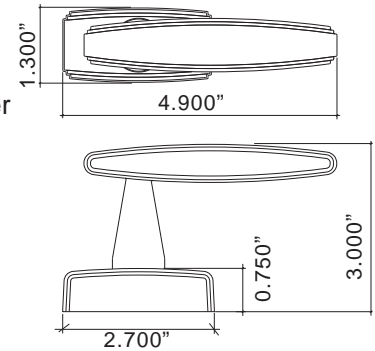


Art Deco Tilt-Turn Window Trim



700429

- Classic Art Deco Design
- Solid Forged Brass Lever and Cover
- Hand Polished
- Fully Concealed Mounting
- All Von Morris Levers are interchangeable
- Includes Indexing Box
- Fits all Tilt-Turn Windows



Art Deco Handrail Bracket

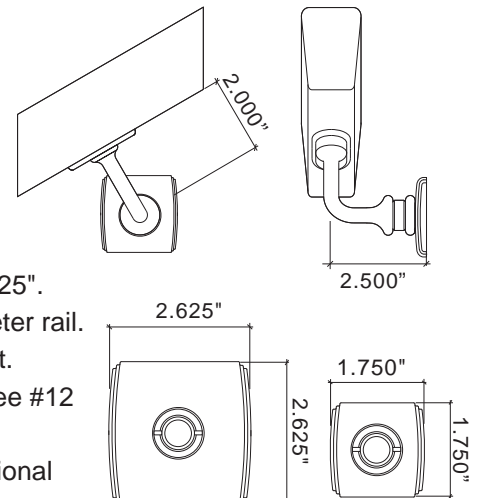


- Solid Forged Brass
- Fully Concealed Mounting
- "T" Nut finished to match Rose

Dimensions:

Projection: Wall to centerline of railing: 2.625".
 Clearance: 1.625" using 2.0" outside diameter rail.
 Standard Saddle: 1.0" wide x 2.0" long - flat.
 Fasteners: 5/16" x 2.0" hanger bolt and three #12 x 2.0" steel screws.

- Radius Saddle Adapter Available at Additional Cost





All Prices in US Dollars - Prices Subject to Change Without Notice
Please Check with Customer Service for Up to Date Pricing.

Art Deco Turnpiece Trim

Description		Standard	Distressed	ETERNA
9538/51	Mortise Bolt w/ Art Deco Rose w/Turnpiece	231.96	270.35	314.27
9538/52	Mortise Bolt w/ Art Deco Rose w/Turnpiece and ER Rose	292.93	341.93	393.79
8864-001	1.25" Art Deco Rose with Turnpiece	157.14	184.18	206.08
8864-002	1.25" Art Deco Rose cut for ER Button	60.96	72.73	79.52
8864-003	1.25" Art Deco Rose cut for Bit Key	60.96	72.73	79.52
8883	Art Deco Turnpiece	97.22	114.11	126.80
8892	Art Deco Cylinder Collar	69.79	81.94	91.05

All IML Privacy and Tubular Mortise Bolt Privacy Sets come with ER Trim Standard on the Exterior. Exterior Bit Key Trim can be substituted for no additional charge.

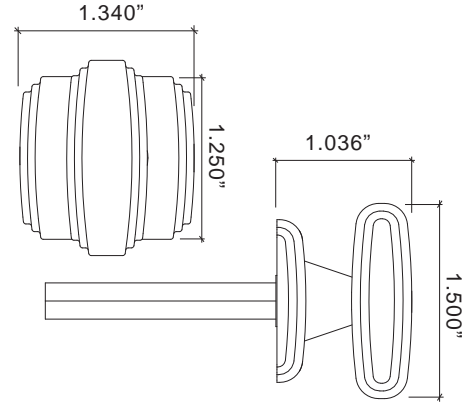
Art Deco Turnpiece Trim

Art Deco Escutcheon with Art Deco Turnpiece



8864-001

- Solid Forged Brass Turnpiece.
- Machined Brass Escutcheon.
- 5mm x 5mm Spindle positioned on the diamond.
- Furnished with #4 Solid Brass oval head slotted wood screws finished to match Escutcheon and Turnpiece.

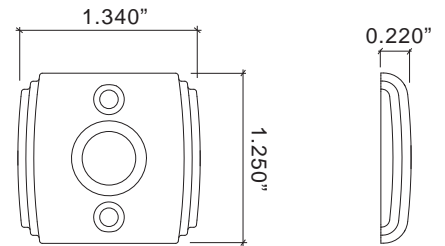


Art Deco Emergency Release Trim



8864-002

- Machined Brass Escutcheon
- Wrought Brass Hole Cover is included and finished to match Escutcheon.
- Furnished with #4 Solid Brass oval head slotted wood screws finished to match Escutcheon.

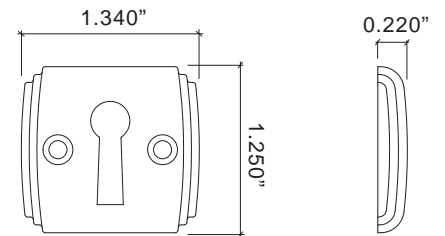


Art Deco Bit Key Trim



8864-003

- Machined Brass Escutcheon.
- Furnished with #4 Solid Brass oval head slotted wood screws finished to match Escutcheon.

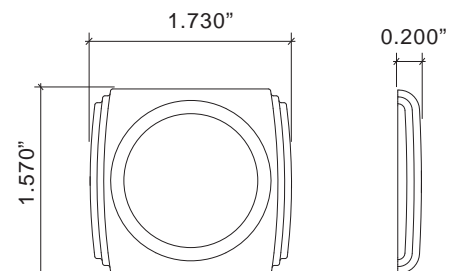


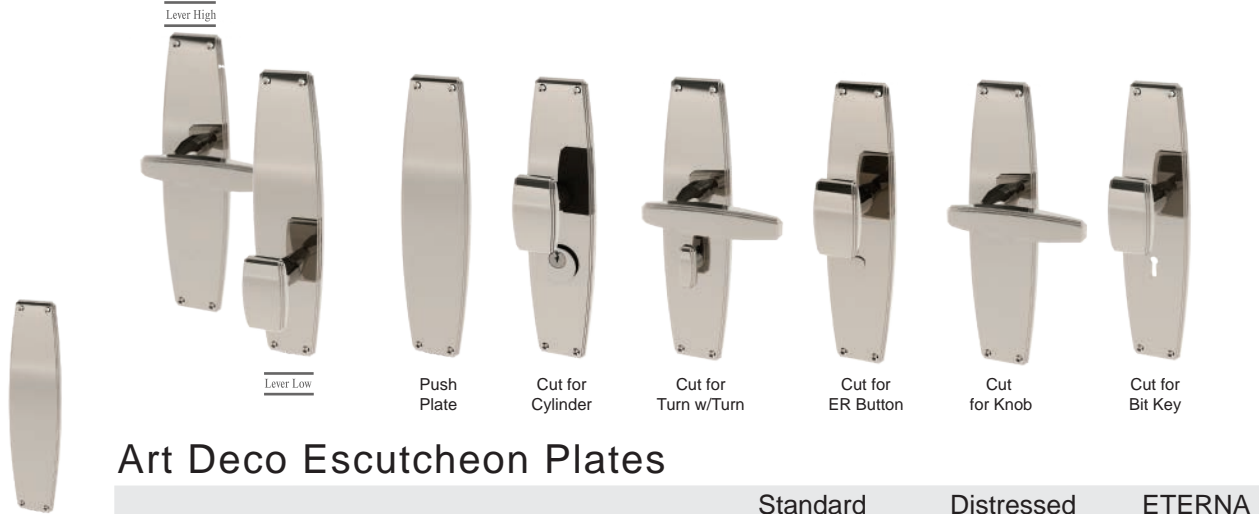
Art Deco Cylinder Collar



8892

- Solid Forged Brass.





Art Deco Escutcheon Plates

		Standard	Distressed	ETERNA
84515	Art Deco Escutcheon Plate, Blank Push Plate	286.69	336.55	373.95
84500	Art Deco Escutcheon Plate, Cut for Knob/Lever (IML/TL)	384.53	451.40	501.56
84510	Art Deco Escutcheon Plate, Cut for Turn, with Turn (IML/TL)	303.77	356.60	396.22
84511	Art Deco Escutcheon Plate, Cut for ER (IML/TL)	300.54	352.81	392.01
84512	Art Deco Escutcheon Plate, Cut for Bit Key (IML/TL)	303.77	356.60	396.22
84513	Art Deco Escutcheon Plate, Cut for Cylinder (IML)	273.01	320.49	356.10
84516L	Art Deco Escutcheon Plate, Cut for Privacy Pin (Tube Latch)	286.69	336.55	373.95
84516R	Art Deco Escutcheon Plate, Cut for Privacy Pin (Tube Latch)	286.69	336.55	373.95
84517	Art Deco Escutcheon Plate, Cut for Entry Cylinder	323.09	379.28	421.42
84518	Art Deco Escutcheon Plate, Cut for Entry Turnpiece w/ Turnpiece	403.85	474.08	526.76
84519	Art Deco Escutcheon Plate, Cut for Entry with Knob/Lever	301.02	353.38	392.64

All IML Privacy and Tubular Mortise Bolt Privacy Sets come with ER Trim Standard on the Exterior. Exterior Bit Key Trim can be substituted for no additional charge.



All Prices in US Dollars - Prices Subject to Change Without Notice
Please Check with Customer Service for Up to Date Pricing.

Art Deco Sectional Trim Components

	Description	Standard	Distressed	ETERNA
8804-250	Pair Art Deco Knobs	235.20	282.24	310.46
8829	Pair Art Deco Levers	254.02	297.92	332.42
8854-175	Pair Small Art Deco Roses	68.99	76.83	87.81
8854-262	Pair Large Art Deco Roses	87.81	97.22	103.49
8864-001	1.25" Art Deco Rose with Turnpiece	136.64	160.16	179.20
8864-002	1.25" Art Deco Rose cut for ER Button	53.01	63.24	69.15
8864-003	1.25" Art Deco Rose cut for Bit Key	53.01	63.24	69.15
8883	Art Deco Turnpiece	84.54	99.23	110.26
8892	Art Deco Cylinder Collar	60.69	71.25	79.17

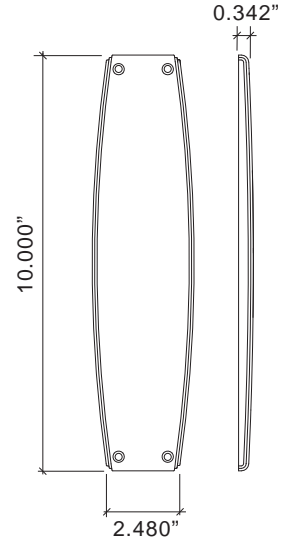
Separate Components

Art Deco Escutcheon Plates



Available In:

- Art Deco Escutcheon Plate, Blank Push Plate
- Art Deco Escutcheon Plate, Cut for Knob/Lever (IML/TL)
- Art Deco Escutcheon Plate, Cut for Turn, with Turn (IML/TL)
- Art Deco Escutcheon Plate, Cut for ER (IML/TL)
- Art Deco Escutcheon Plate, Cut for Bit Key (IML/TL)
- Art Deco Escutcheon Plate, Cut for Cylinder (IML)
- Art Deco Escutcheon Plate, Cut for Privacy Pin (Tube Latch)
- Art Deco Escutcheon Plate, Cut for Privacy Pin (Tube Latch)
- Art Deco Escutcheon Plate, Cut for Entry Cylinder
- Art Deco Escutcheon Plate, Cut for Entry Turnpiece w/ Turnpiece
- Art Deco Escutcheon Plate, Cut for Entry with Knob/Lever



- Classic Art Deco Design
- Forged Brass Escutcheon Inside and Outside
- Solid Forged Brass Knob/Lever
- Hand Polished
- Plates available with Cuts for all Von Morris Locks as well as Custom Cuts for other Manufacturers' Locks
- Specify door thickness when ordering
- All IML Privacy and Tubular Mortise Bolt Privacy Sets come with ER Trim Standard on the Exterior. Exterior Bit Key Trim can be substituted for no additional charge.

Art Deco Sectional Trim Components



8864-001



Art Deco Knob 8804-250
Small Art Deco Rose 8854-175



Art Deco Knob 8804-250
Large Art Deco Rose 8854-262



8864-002



Art Deco Lever 8829
Small Art Deco Rose 8854-175



Art Deco Lever 8829
Large Art Deco Rose 8854-262



8864-003



8892